

UDC 621.882.4



**NATIONAL STANDARD OF THE PEOPLE'S REPUBLIC OF  
CHINA**

**中华人民共和国国家标准**

GB 93-87

Replace GB 93-76

---

**标准型弹簧垫圈**

**Single Coil Spring Lock Washers, Normal Type**

**Issued on 05-02-1987**

**Implemented on 01-02-1988**

---

**Issued by National Standardization Administration Committee of China**

## Single Coil Spring Lock Washers, Normal Type

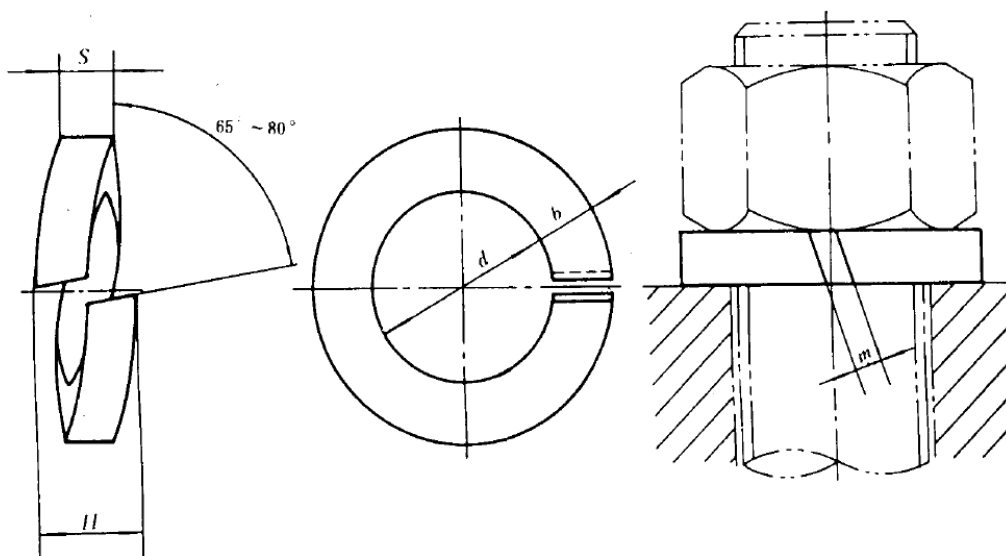
### 1. Introduction

This Standard specifies the normal type single coil spring lock washers which dimension is 2 mm to 48mm.

### 2. Normative References

GB 94.1-87 *Specifications for spring washers-Single coil spring lock washers*

### 3. Dimension



---

---

## 完整版本请在线下单

或咨询：

TEL: 400-678-1309

QQ: 19315219

Email: [info@lancarver.com](mailto:info@lancarver.com)

<http://www.lancarver.com>

---

---

## 线下付款方式：

### 1. 对公账户：

单位名称：北京文心雕语翻译有限公司

开户行：中国工商银行北京清河镇支行

账 号：0200 1486 0900 0006 131

---

---

### 2. 支付宝账户：[info@lancarver.com](mailto:info@lancarver.com)

---

---

注：付款成功后，请预留电邮，完整版本将在一个工作日内通过电子 PDF 或 Word 形式发送至您的预留邮箱，如需索取发票，下单成功后的三个工作日内安排开具并寄出，预祝合作愉快！

---



银联特约商户